

BOURG SHEET FEEDER

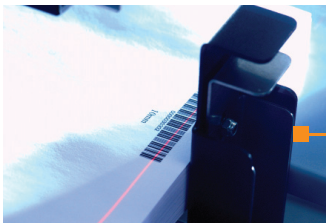
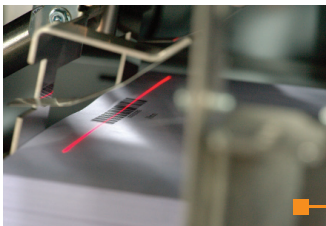
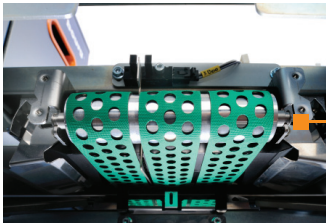
BSF



- Positioned as the optimal alternative to In-Line finishing, the BSF is a high volume sheet feeder designed to match today's market demands. Coupled with the capability of using trollies/carts/pallets from your printer, stacks of pre-collated documents – whether from digital color, digital monochrome, or from offset presses – can easily be fed into post-printing equipment.

The Near-Line application BSF – BCM-e – BM-e is an ideal solution for digital printers. Output from any engine (digital and/or pre-collated offset) can be placed into the BSF with ease. The content of the BSF will follow an automated bleed, crease, stitch, fold, trim process of up to 120 page booklets (30 sheets).

The BSF consists of two feeding stations which allows for a wide range of applications and flexibility. The lower feeding station, called the high pile, has the capacity to load up to 500 mm (19.7 inches) paper stacks directly from a Xerox, Kodak, HP Indigo, or Océ/Canon trolley/cart. The top feeding station, called the drawer, has the capacity to load up to 160 mm (6.3 inches) of paper stacks manually. The paper is then fed using suction belt and air separation technology, enabling high feeding speeds of up to 15,000 sheets per hour even when media is waved or curled. With the Barcode Reader (BCR), the BSF can automatically process on-demand jobs, variable jobs and guarantee job integrity.



| FEATURES | ADVANTAGES | BENEFITS |
|--|---|--|
| Large Paper Range | Maximum media size 571.5 x 364 mm (22.5 x 14.33 in) Minimum media size 203.2 x 120 mm (8 x 4.73 in) From 60 gsm to 350 gsm | Reliable feeding of different media types and different media sizes |
| Connectable to | Booklet Makers: BDF Series, BM-e Series and e-Series accessories | Multipurpose feeding for wide range of solutions |
| Dual Feeding Stations: Drawer & High Pile | Insertion of dual content | Greater job flexibility Cover insertion |
| Compatible with trolley, carts, and pallets (Only for High Pile) | Xerox iGen 3 & iGen 4 Xerox DocuTech & Nuvera DS5000 and DS3500 Xerox DocuColor DC 5xxx/6xxx/8xxx Xerox ColorPress 800/1000 Kodak Digimaster High Capacity Stackers HP Indigo 3500, 5000, 5500, and 7000 | Faster High Pile loading Avoids sheet damage and stacking errors |
| Compressed Airflow Positioning | Easy paper pile positioning | Faster High Pile loading Avoids sheet damage and stacking errors |
| Bourg Suction Belt & Air Sheet Separation Technology | Feeds a wide variety of paper Fast paper feeding Less friction/paper damage Less double/miss feeds | Fully automated Better feeding performance and reliability |
| Graphical User Interface (GUI) (optional) | User friendly industrial grade color touch screen Single GUI for all the finishing line | Easy to use interface |
| Barcode Capabilities (optional) | Automatic integrity check Automatically process variable data jobs | Saves time configuring and processing variable data jobs Guaranteed job integrity |
| Optical Mark Recognition Sensors (OMR) | Automatic job processing Partial SET integrity check | Saves time entering job data |
| Ultrasonic DMC | Different paper weight/quality does not affect detection No calibration required Superior to optical detection | Precise double miss control (DMC) |
| Interface Feeder Booklet Maker (IFB) (optional) | Automatic ejection of job in case of double feed or wrong barcode Enables manual Feeding | Easy job recovery and enables continuous production |
| Purge Feature | Automatic ejection of faulted job and enables continuous production | Minimal time loss |



TECHNICAL SPECIFICATIONS

POPULAR CONFIGURATIONS



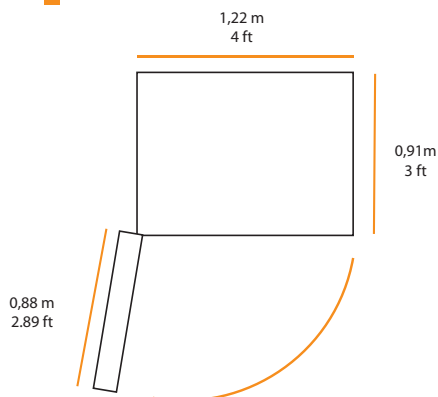
BSF + BCM-e + BDF-e

BSF + BCM-e + BM-e + SQE



| | |
|----------------------------|---------------------------------|
| Category | Feeder |
| Model | BSF |
| Media/Sheet Sizes | |
| | (In Track) x (Cross Track) |
| Min | 203.2 x 177.8 mm (8 x 7 in) |
| Max | 571.5 x 364 mm (22.5 x 14.3 in) |
| (Drawer CD Kit) Min | 203.2 x 120 mm (8 x 4.72 in) |
| Feeding Stations | |
| Number of Stations | 2 stations |
| Lower Capacity | 500 mm (19.68 in) |
| Upper Capacity | 160 mm (6.3 in) |
| Media/Sheet Weights | |
| Min | 60 gsm |
| Max | 350 gsm |
| Maximum Speed | 15000 sheets/h |
| Power Supply | 120 V ±10% – 60 Hz – 10 A |
| | 230 V ±10% – 50 Hz – 6 A |
| Power Consumption | |
| Operational Mode | 720 W |
| Radiant Heat (OM) | 2460 BTU/h |
| Standby Mode | 160 W |
| Radiant Heat (SM) | 546 BTU/h |
| Sound Level | 75 dB |
| Dimensions | |
| Length | 1.22 m (4.00 ft) |
| Width | 0.91 m (3 ft) |
| Height | 1.32 m (4.33 ft) |
| Weight | 450 kg (992.08 lbs) |

DIMENSIONS



MEDIA / SHEET SIZES

INPUT

