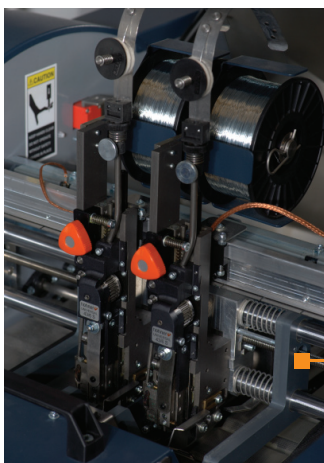




- The BM-e is C.P. Bourg's high-end award winning booklet maker that utilizes the latest technology to generate unparalleled quality booklets for its market segment. The paper flow follows a stitch-fold-trim process with guaranteed set integrity and a maximum speed of 5,000 booklets per hour.

Large sheet sizes of 370 x 600 mm (14.57 x 23.62 in) and A4 (letter) landscape booklets can be processed through the BM-e with ease.

The Near-Line application BSF – BCM-e – BM-e is an ideal solution for digital printers. Output from any engine (digital or pre-collated offset) can easily be placed into the Bourg Sheet Feeder (BSF). Through this solution, sheets will follow an automated bleed, crease, stitch, fold, trim process to create booklets of up to 120 pages (30 sheets).



FEATURES	ADVANTAGES	BENEFITS
Large Paper Range	Maximum media size 600 x 370 mm (23.62 x 14.67 in) Minimum media size 180 mm x 120 mm (7.09 x 4.73 in)	Offers a wide range of booklet formats, including A4/Letter landscape booklets
Connectable to	Collators: BST-e, BST-d+, Feeders: BSF	Booklet making solution for offset and digital needs
Folds up to 120 page Booklets	Stitch fold trim up to 30 sheets (80 gsm)	Able to process jobs with more content
Graphical User Interface (GUI) (optional)	Controlled via the GUI of the C.P. Bourg machine it is connected to a single GUI for all the finishing line	Easy to use interface
In-Operation Adjustments	Job adjustments can be performed via the GUI "Run" menu	Fine tuning adjustments of stitch, fold, trim while BME is in operation
Stitch Fold Module	Automatic stitch head adjustment Heads can be disengaged Unique folding belt technology applying a maximum pressure of 300 kg (661 lbs) via book press	Automatic top, corner, side, or saddle stitching Flatter booklets
2 to 4 Cassette Wire Heads (optional)	Hohner 48/6S or ISP heads Hohner 48/6S can accommodate a loop kit (optional)	Large range of stitching possibilities
ISP Head Features	Toolless cassette replacement	Plug & Play stitch heads
Purge Feature	Automatic ejection of faulted job and enables continuous production	Minimal time loss
Eject Tray Capabilities	Secondary exit for jobs that do not require folding Enables ejection of faulted jobs	Multipurpose secondary exit Can be used as small stacker
Trim Module (optional)	Self-adjusts to book thickness Blade-against-blade trimming	Fully automated trimming Highest quality cuts
Visible Straight Paper Path	Complete job visibility	Ease of intervention and traceability



BM-e
OFF-LINE

TECHNICAL SPECIFICATIONS

POPULAR CONFIGURATIONS

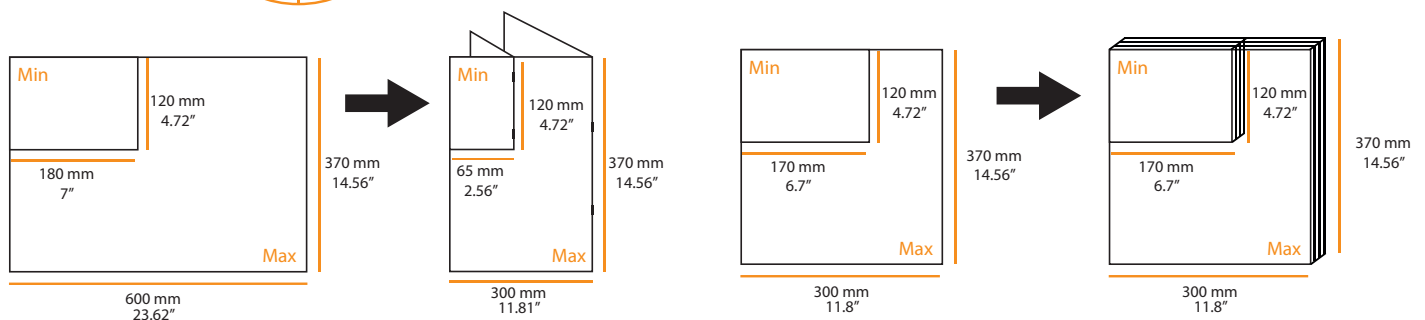
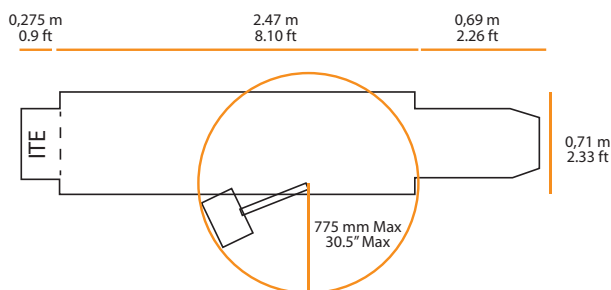


CCJ + BST-e20 + BM-e

BSF + BCM-e + BM-e + SQE



DIMENSIONS



Category	Booklet Maker
Model	BM-e
Media/Sheet Sizes	
Input Sheet Size (saddle stitching)	(In Track) x (Cross Track)
Min	180 x 120 mm (7.08 x 4.72 in)
Max	600 x 370 mm (23.62 x 14.56 in)
Output Booklet Size (saddle stitching)	(In Track) x (Cross Track)
Min	65 x 120 mm (2.56 x 4.72 in)
Max	300 x 370 mm (11.81 x 14.56 in)
Fore-Edge Max Trimming	25 mm (0.98 in)
Input/Output Sheet Size (top/side stitching)	(In Track) x (Cross Track)
Min	170 x 120 mm (6.69 x 4.72 in)
Max	300 x 370 mm (11.81 x 14.56 in)
Media/Sheet Weights	
Min	60 gsm
Max	350 gsm
Maximum Speed	5000 sets/h
Power Supply	120 V ±10% – 60 Hz – 8 A 230 V ±10% – 50 Hz – 5 A
Power Consumption	
Operational Mode	1160 W
Radiant Heat (OM)	5700 BTU/h
Standby Mode	356 W
Radiant Heat (SM)	2525 BTU/h
Sound Level	70 dB
Dimensions	
Length	2.47 m (8.10 ft)
Width	0.71 m (2.33 ft)
Height	1.55 m (5.09 ft)
Delivery Conveyor	0.69 m (2.26 ft)
ITE (collators only)	0,275 m (0.9 ft)
Weight	550 kg (1,212.54 lbs)

MEDIA / SHEET SIZES